

# POLY-FASTENER®



**SILAGE**

**COMPOST**

**GRAIN BAGS**

**THE FASTENER ...**



- ➔ Provides a 99.9% water tight seal when closing any agriculture bag.
- ➔ Effective in most weather conditions; rain, wind or shine.
- ➔ Reusable, year after year! No bothering with heat welding or 2 x 4s.

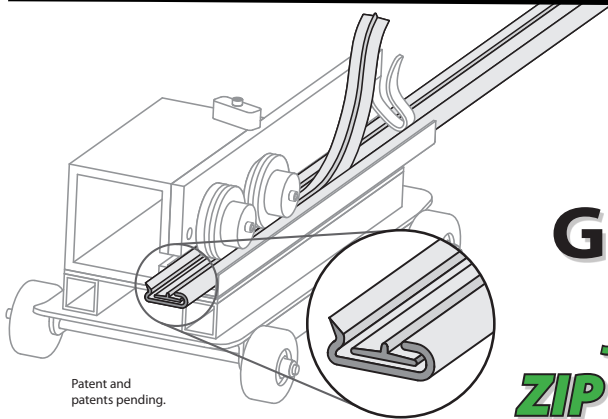


**Just ZIP IT ON!**

**... IN ACTION**

Curry Industries Ltd. • 19 Burnett Avenue, Winnipeg, MB, Canada R2G 1C2  
Ph. (204) 661 1729 • Fax (204) 661 1894 • Canada (800) 538 0008 • US (877) 337 8700  
[curryind@mts.net](mailto:curryind@mts.net) • [www.curryindustries.com](http://www.curryindustries.com)

# Introducing the **POLY-FASTENER**<sup>®</sup> **BAG ZIPPER**



Patent and  
patents pending.

*Just*  
**ZIP IT ON!**

- ➔ From edge to edge in less than 10 seconds.
- ➔ Easy and quick setup to speed your bagging time and keep the trucks rolling.
- ➔ Works from dawn 'til dusk in wet and windy conditions.



**HAND-CRAFTED PRECISION**

Curry Industries Ltd. • 19 Burnett Avenue, Winnipeg, MB, Canada R2G 1C2  
Ph. (204) 661 1729 • Fax (204) 661 1894 • Canada (800) 538 0008 • US (877) 337 8700  
[curryind@mts.net](mailto:curryind@mts.net) • [www.curryindustries.com](http://www.curryindustries.com)